

**Click Here
For Your Free Quote**



HZSN1 Series ON/OFF/PROPORTIONAL ELECTRIC ACTUATORS

OVERVIEW

The HZSN1 Series are quarter-turn electric industrial service actuators delivering up to 266 lbf-in torque in voltages ranging from 24v up through 230v in on/off or proportional control modes. Other Key Features include:

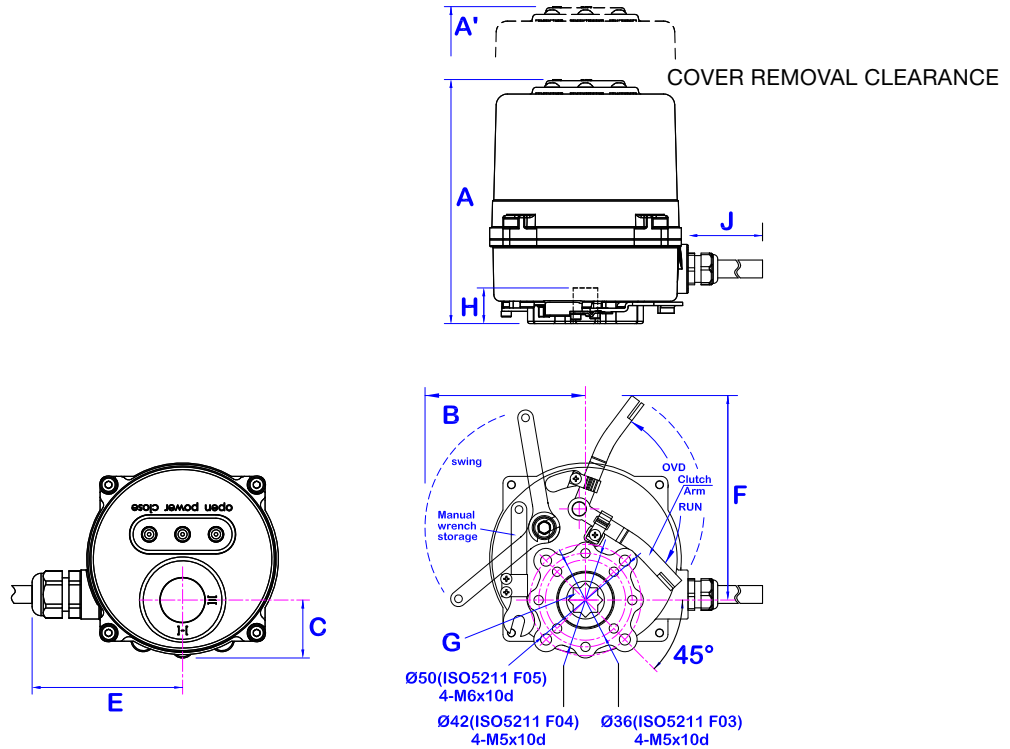
- Equipped with two (2) volt-free Form A Auxiliary switches rated at up to 1A 250vac (on/off models only)
- Proportional models have 4-20mA or 2-10vdc feedback output standard
- ISO5211 compliant with an 11mm double square female drive
- Furnished with a 39" (1M) cable to facilitate field connections outside the compact enclosure
- Low profile visual position indicator and three flush mounted LEDs allow at-a-glance position indication
- Manual override lever and 8mm access shaft at the bottom of the actuator housing
- NEMA 4X/IP67 compliant
- PG6 EMT entry port with sealed cable gland

TECHNICAL INFORMATION

ACTUATOR SPECIFICATIONS		HZSN1A	HZSN1B	HZSN1C
Supply	Torque Output (lbf-in / Nm)	89 / 10	177 / 20	266 / 30
24VAC - 24VDC	Current Draw (Start / Run / LRA)	2.1A / 1.2A / 2.3A	2.1A / 1.2A / 2.3A	2.1A / 1.2A / 2.3A
	Speed (90°) DC, seconds	13	12	11
	Motor - 24vdc Perm Magnet Brush Type	5W	8W	10W
	Duty Cycle (on/off / mod)	75%	75%	75%
	Motor Starts, per hour, Max	1200	1200	1200
	Motor Class	Class B	Class B	Class B
120V	Current Draw (Start / Run / LRA)	.39A / .36A / .48A	.39A / .36A / .48A	.39A / .36A / .48A
	Speed (90°) 60Hz / 50Hz, seconds	13	12	11
	Motor - 120vac Split-Phase Cap TENV	5W	8W	10W
	Duty Cycle (on/off / mod)	25% / 75%	25% / 75%	25% / 75%
	Motor Starts, per hour, Max	1200	1200	1200
	Motor Class	Class B	Class B	Class B
230V	Current Draw (Start / Run / LRA)	.23A / .21A / .28A	.23A / .21A / .28A	.23A / .21A / .28A
	Speed (90°) 60Hz / 50Hz, seconds	13	12	11
	Motor - 230vac Split-Phase Cap TENV	5W	8W	10W
	Duty Cycle (on/off / mod)	25% / 75%	25% / 75%	25% / 75%
	Motor Starts, per hour, Max	1200	1200	1200
	Motor Class	Class B	Class B	Class B
All	Control	On/Off or Proportional		
	Electrical Entry (1)	PG6 Nylon Gland with 39" 11C-24 Cable On/Off or 9C-24 Proportional		
	Manual Override	Bottom Mounted 8mm Hex Shaft		
	Ambient Operating Range	-22°F to +158°F (-30°C to +70°C)		
	Humidity Range	0-95% RH		
	Altitude Limit	9850 ft / 3000 m		

HZSN1 Series Electric Actuators

TECHNICAL INFORMATION, CONTINUED



DIMENSIONS

MODEL	A in/mm	A' in/mm	B in/mm	C in/mm	E in/mm	F in/mm	G in/mm	H in/mm	J in/mm	WEIGHT lbs/kg
HZSN1A,B,C	4.33/110	2.95/75	2.83/72	1.00/25	2.75/70	3.72/95	.433/11	.630/16	39.4/1000	2.2/1.0

No Aux Switches on Modulating Models

